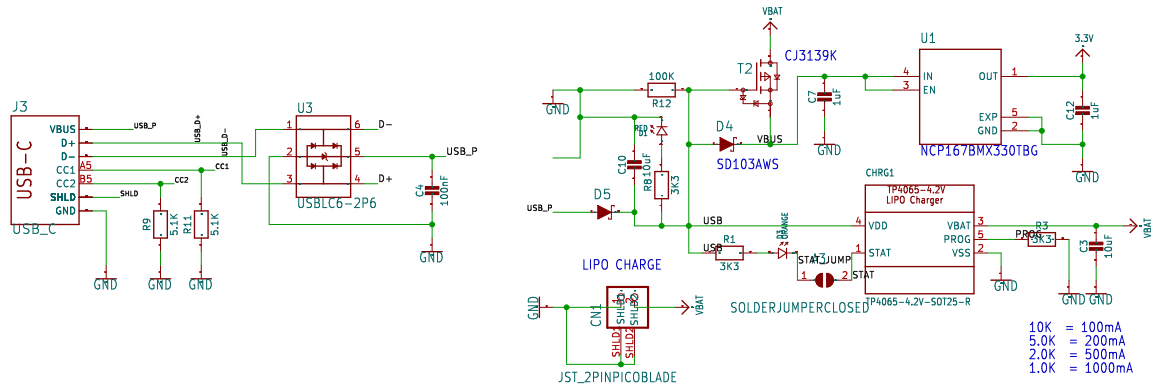
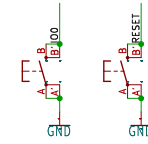


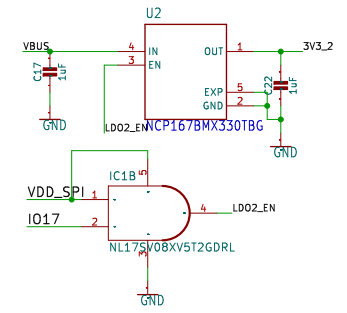
USB, POWER PATHS, CHARGING AND FILTERING



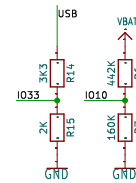
BUTTONS



LD02 & AUTO-SHUTDOWN

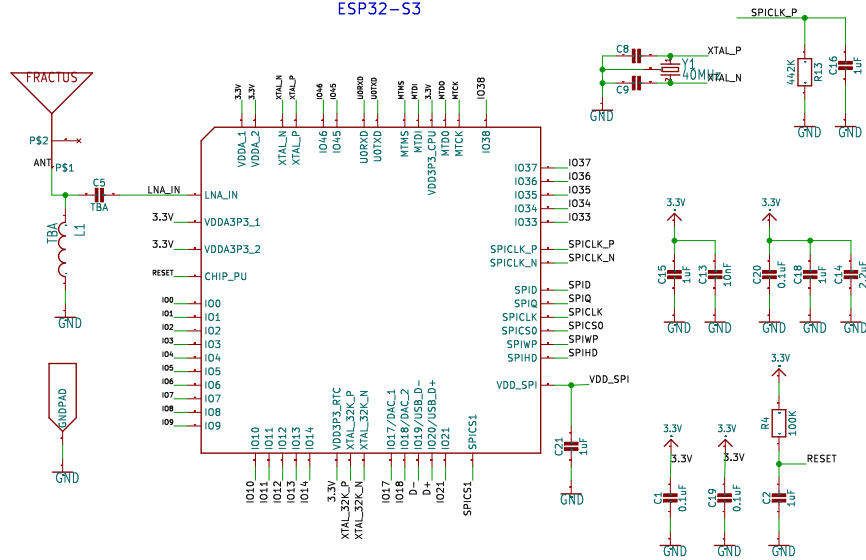


SENSE PINS

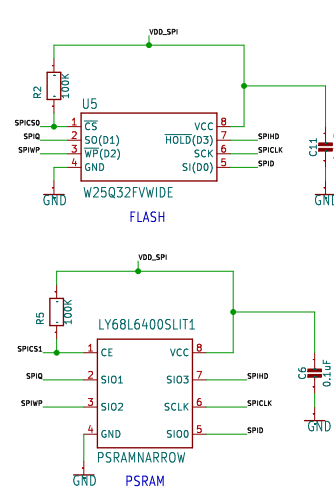


- 10K = 100mA
- 5.0K = 200mA
- 2.0K = 500mA
- 1.0K = 1000mA

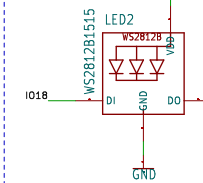
ESP32-S3



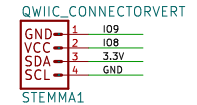
EXTERNAL FLASH & PSRAM



RGB LED



VERTICAL STEMMA CONNECTED TO LD01



HEADERS

